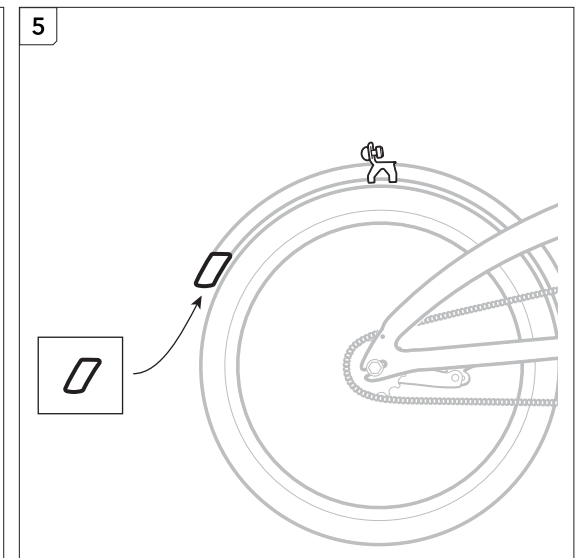
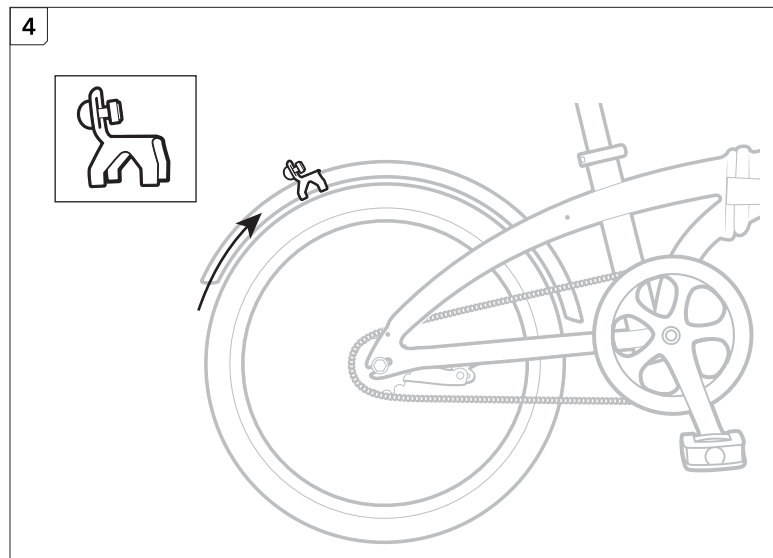
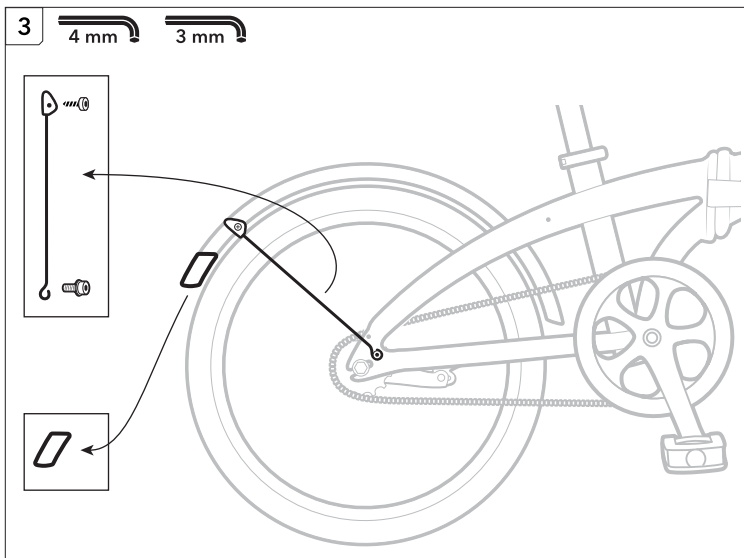
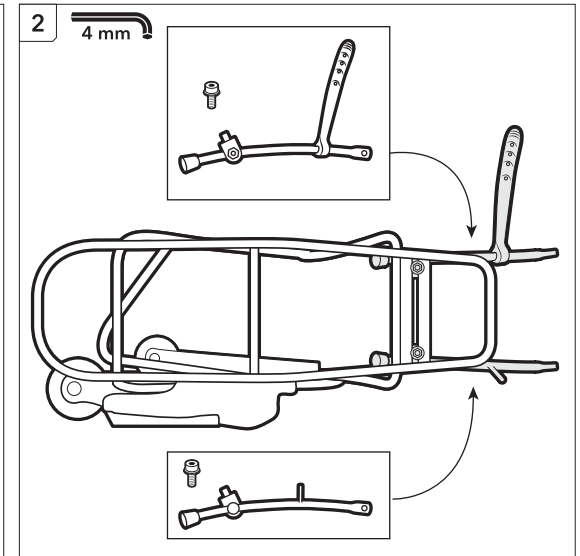
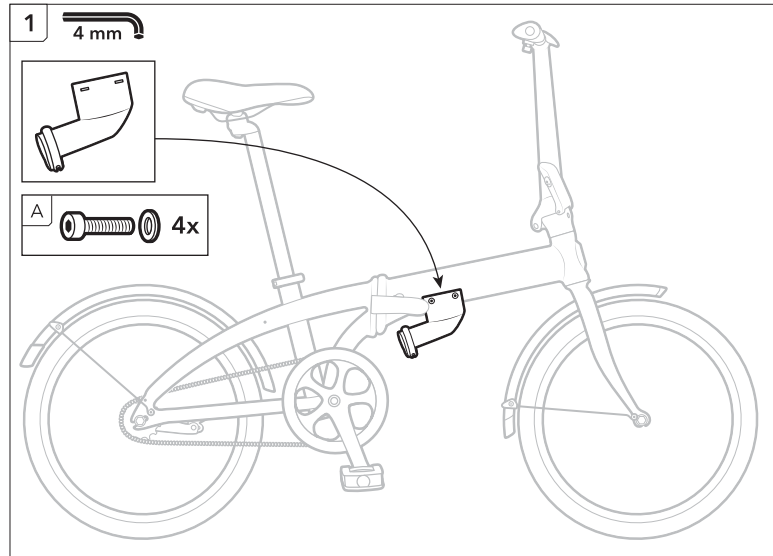
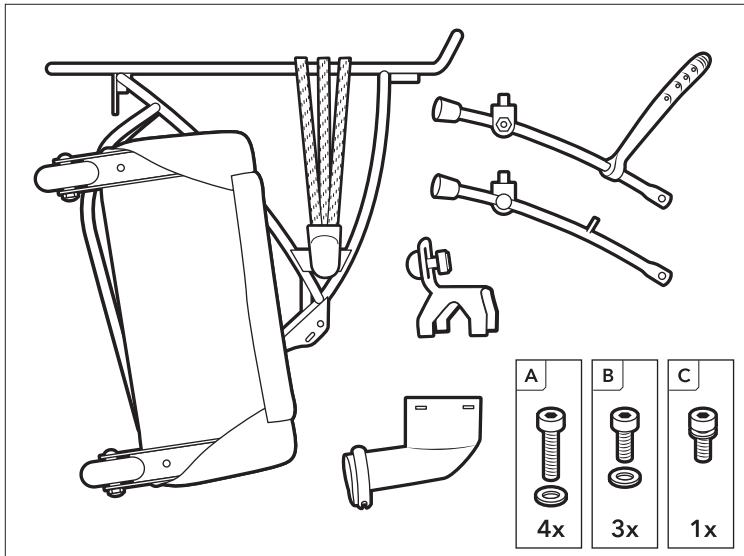
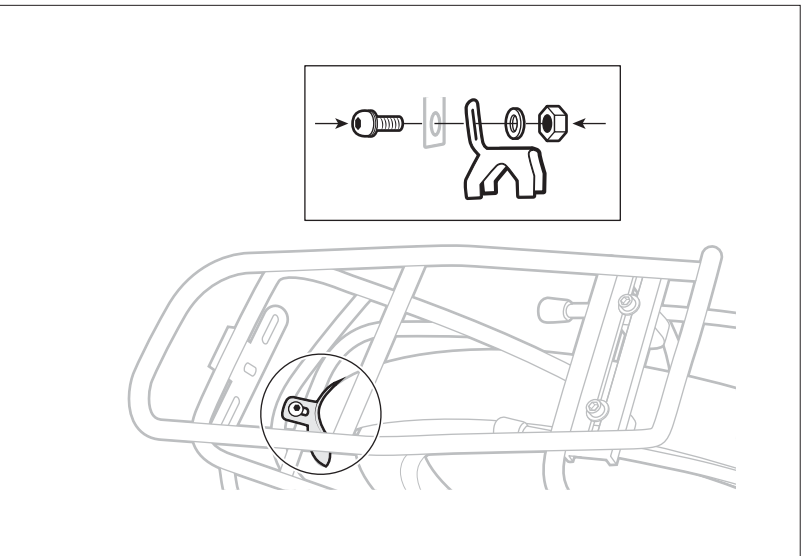
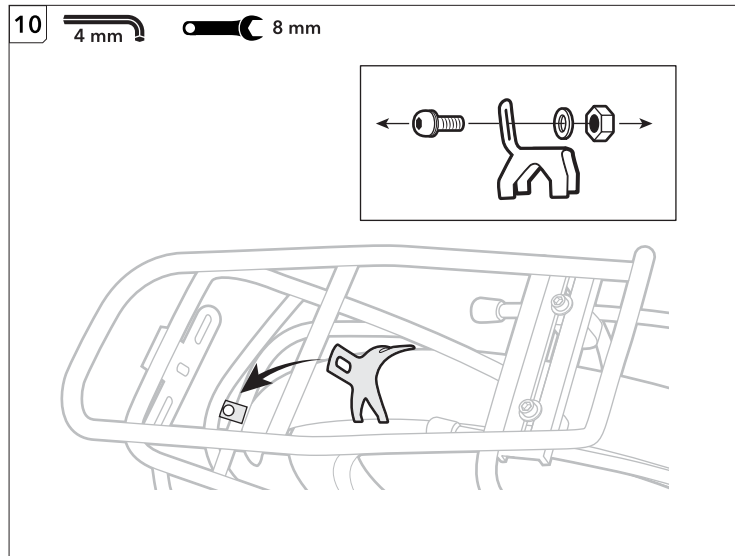
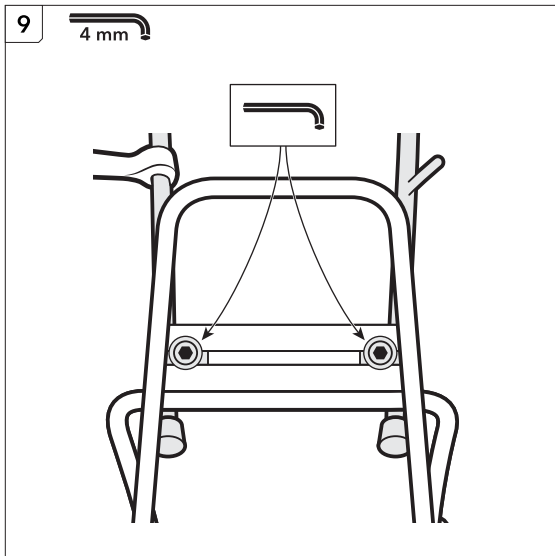
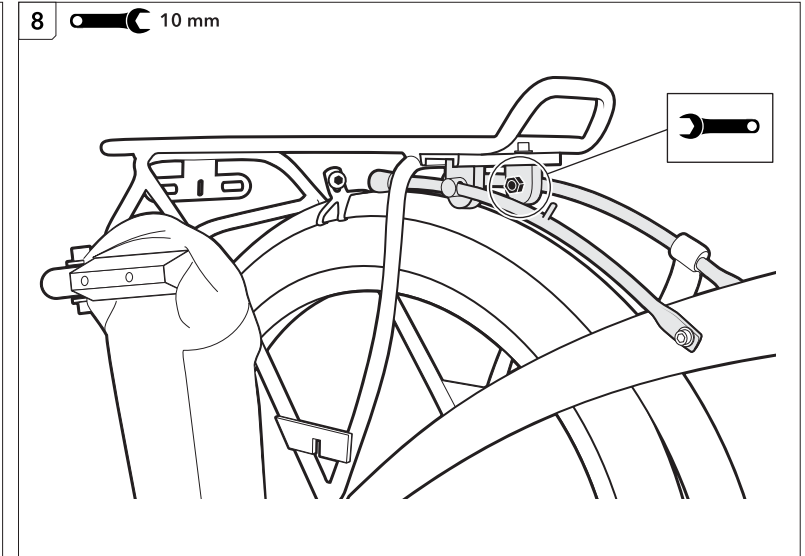
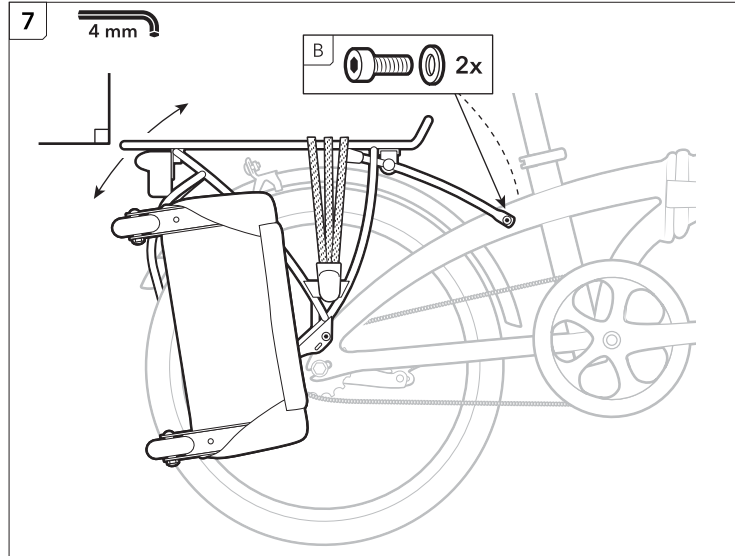
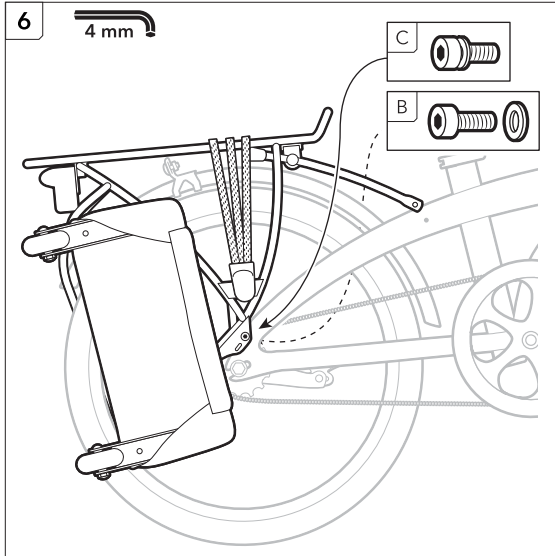


Mounting Instructions



⚠ If you are unsure of how to install this product, please consult a qualified bicycle technician.

Mounting Instructions (continued)



Load capacity = 20 kg (44 lb)